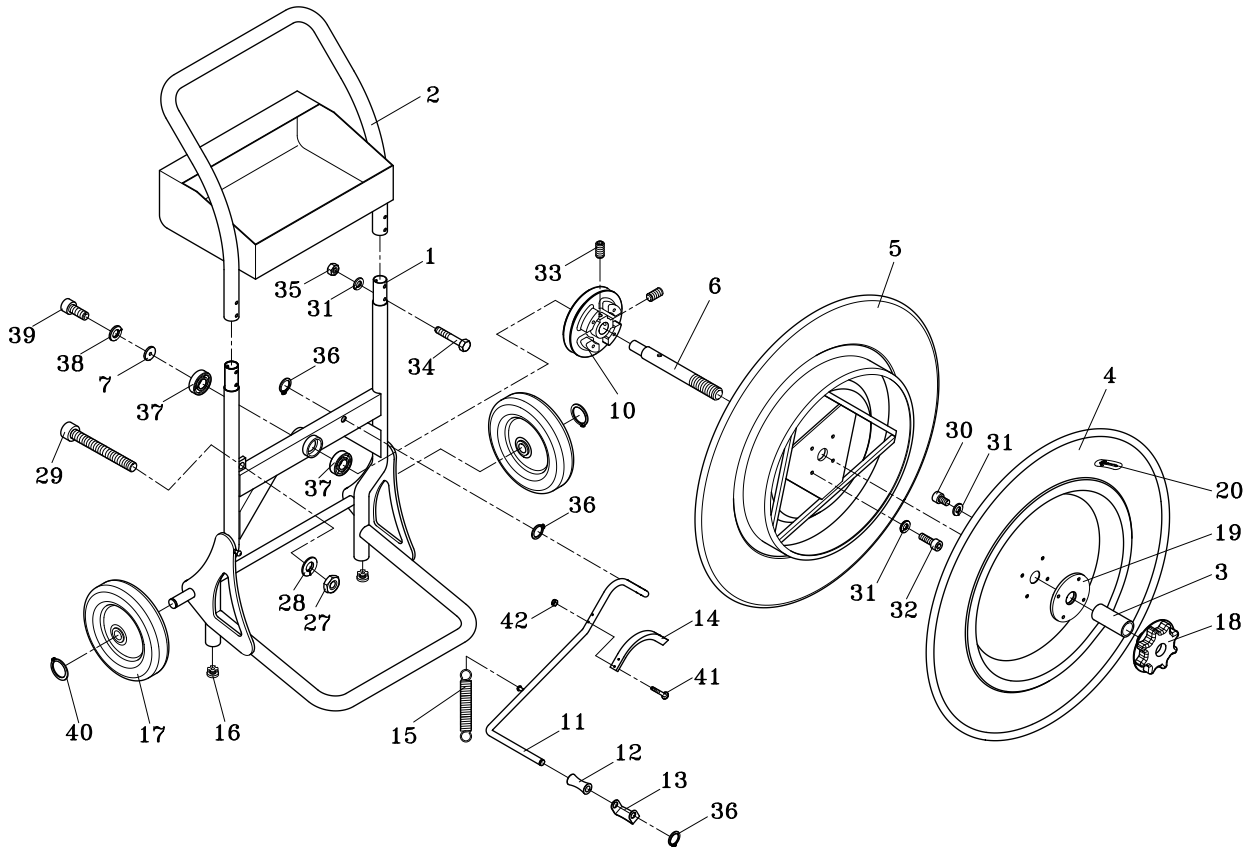


# STRAPDISPENSERFORPLASTIC&STEELSTRAP

## 3-PSD-PET-HD (406mm)



| REF. NO. | PART NO.   | DESCRIPTIONP            | Q'TY | REF. NO. | PART NO. | DESCRIPTIONP    | Q'TY |
|----------|------------|-------------------------|------|----------|----------|-----------------|------|
| 1        | H84-10001  | Frame, Body             | 1    | 20       | LA-30200 | Label           | 1    |
| 2        | H84-10002  | Tool Box, Handle        | 1    | 27       | HN10     | HN, M10         | 1    |
| 3        | H84-20007  | Collar(For Steel Strap) | 1    | 28       | SW10     | SW, M10         | 1    |
| 4        | H84-20001  | Reel Out Circular       | 1    | 29       | HBS1055N | HBS,M10x55 (N)  | 1    |
| 5        | H84-20006  | Reel In Circular        | 1    | 30       | HBS0610  | HBS, M6x10      | 4    |
| 6        | H84-20003  | Reel Shaft              | 1    | 31       | SW06     | SW, M6          | 12   |
| 7        | H84-20005  | Washer                  | 1    | 32       | HBS0620  | HBS, M6x20      | 4    |
| 10       | H84-30001  | Brake Wheel             | 1    | 33       | HSS0816  | HSS, M8x16      | 2    |
| 11       | H84-30002  | Brake Arm               | 1    | 34       | HB0635   | HB, M6x35       | 4    |
| 12       | H84-30003  | Roller                  | 1    | 35       | HN06     | HN, M6          | 4    |
| 13       | H84-30004  | Roller Holder           | 1    | 36       | SR12     | Stop Ring, S-12 | 3    |
| 14       | H84-30005  | Brake Lining            | 1    | 37       | BR6003ZZ | Bearing, 6003ZZ | 2    |
| 15       | TC-025     | Spring                  | 1    | 38       | SW08     | SW, M8          | 1    |
| 16       | H95-008    | Pad                     | 2    | 39       | HBS0816  | HBS, M8x16      | 1    |
| 17       | H95-007    | Wheel                   | 2    | 40       | SR19     | Stop Ring, S-19 | 2    |
| 18       | TD-016     | Reel Nut Handle(LH)     | 1    | 41       | TMS0430  | TMS, M4x30      | 4    |
| 19       | T7-4-10150 | Plate                   | 1    | 42       | HN04     | HN, M4          | 4    |

**\*PLEASE ORDER PARTS BY PARTS NO., DESCRIPTION AND Q'TY.**